

Radiation hardness study of positive LDO voltage regulators

Sergey Rybalka*, Evgeny Kulchenkov, and Andrey Demidov

Bryansk State Technical University, Physics Department, 50 let Oktyabrya blvd. 7, Bryansk, 241035, Russia

Abstract. Two linear voltage regulators LS2-5V and LM2931 (output voltage of 5.0 V) were studied experimentally on their hardness to the radiation total ionizing dose (TID) effects. It was shown that output voltage changes lightly for LS2-5V at increasing of TID and not exceeds the operation mode limit (4.85 - 5.25 V). On the contrary, the output voltage value for LM2931 analogue exceeds operation mode limits at high TID that lead to its functional failure. It was found that both regulators functionate stably by consumption current parameter. Thus, LS2-5V demonstrates more stable functioning than LM2931 analogue. In addition, the SPICE macromodel for description of the radiation behavior by the output voltage parameter for LS2-5V was developed.

1 Introduction

An important element of modern microelectronics is a voltage regulator (VR), since almost any electronic circuit (simple transistor circuits, operational amplifiers, digital and microprocessor systems, etc.) requires one or more stable DC sources for its stable operation [1]. In addition, for various modern industries it is necessary to ensure that electronic components operate reliably during their radiation treatment [2, 3]. Hence, investigation of the radiation behaviour and hardness of modern electronic component base to the TID effects of ionizing radiation is an important goal [3, 4].

The purpose of this work is to study the effect of the total dose of ionizing radiation on the performance of LS2-5V [5] and LM2931 [6] voltage regulators experimentally and theoretically.

2 Materials and methods

In present investigation of the LS2-5V (epitaxial-planar bipolar process) and LM2931 voltage regulators for radiation hardness was carried out using the developed X-ray complex (XRRC-0401) in detail described in papers [7]. The scheme of the XRRC-0401 (operation mode: 70 kV – anode voltage, 150 μ A - anode current) is presented in Figure 1.

* Corresponding author: sbrybalka@yandex.ru

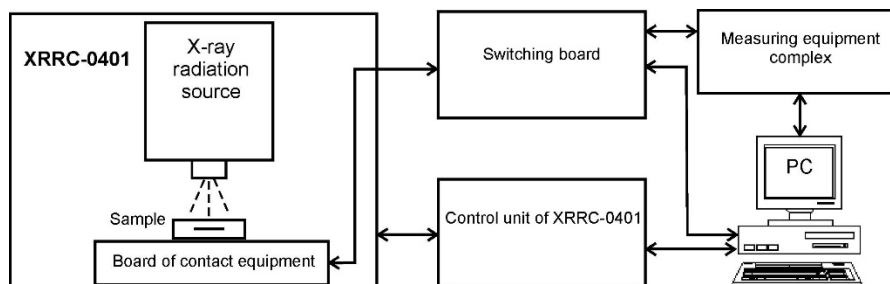


Fig. 1. The block-scheme of the X-ray complex (XRRC-0401) [7].

The XRRC-0401 during process monitoring was conducted through dedicated software created within the LabView, which facilitates the measurement of various observed parameters at specified time intervals [7]. Additionally, LS2-5V and LM2931 samples were connected according to the scheme presented in Figure 2. During the radiation experiment the LS2-5V and LM2931 samples were in the following electric conditions: 6 V (input voltage) and 500 mA (load current). The distance from the X-ray source is 33 mm (radiation dose treatment rate - 100 un./s (un. – the units of the X-ray comparator DRI-0401)) for LS2-5V and 20 mm (radiation dose treatment rate - 216 un./s) for LM2931 analogue.

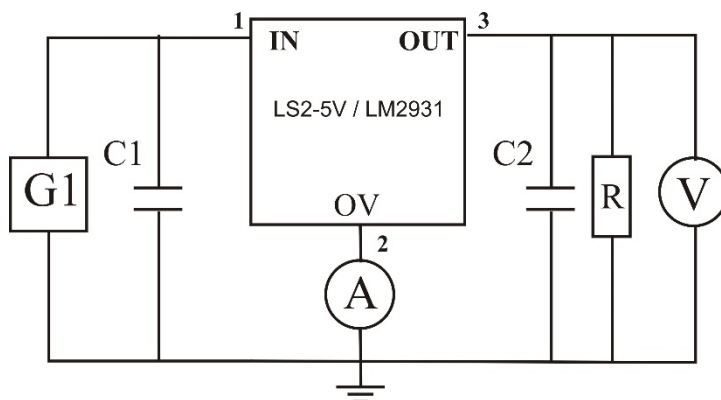


Fig. 2. The electric scheme for test of LS2-5V [5] and LM2931 [6]. G1 – the constant-voltage source; A – the ammeter; V – the voltmeter; R – the resistive load; C1=10 μF, C2=10 μF.

3 Results and discussion

Figure 3 presents the obtained data for LS2-5V and LM2931. As follows from Figure 3, for LS2-5V the output voltage practically does not change ($5.0 \div 5.04$ V) without exceeding the required limits ($4.85 \div 5.25$ V). On the contrary, for LM2931 the output voltage at first changes lightly as dose D increase but then begins to decrease (486×10^3 un.) up to the lower required operating limit (4.85 V). Hence, the for LM2931 takes place failure process (at dose interval from 486×10^3 un. up to 661×10^3 un.). Consequently, comparison LS2-5V and LM2931 (analogue) by the output voltage parameter shown that only LS2-5V demonstrates radiation hardness in investigated radiation conditions. Further, because of output voltage also was investigated another significant characteristics for LS2-5V and LM2931 such as consumption current.

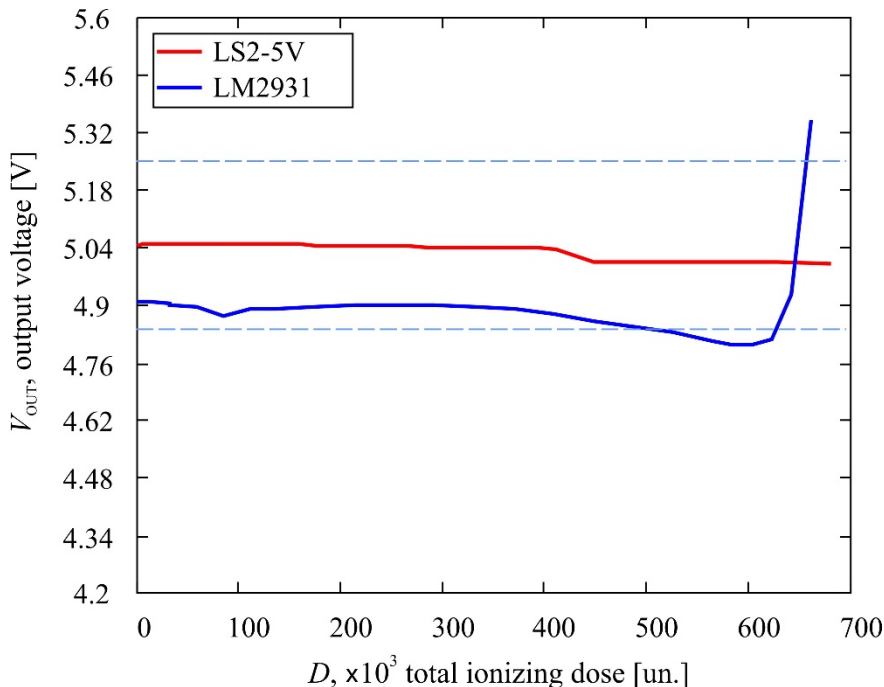


Fig. 3. Dependence for LS2-5V and LM2931 analogue output voltage on TID radiation (dashed-line - the required operating limits ($4.85 \div 5.25$ V)).

The consumption current I_{cc} data are presented in Fig. 4 and can be seen that values for LS2-5V changes lightly (from $690 \mu\text{A}$ up to $776 \mu\text{A}$) and reaches $690 \mu\text{A}$ at $D = 690 \times 10^3$ un. It is important to mention that a comparable behavior was observed in a similar VR IS-LS1-3.3V [7]. On the contrary, in case of LM2931 VR the consumption current I_{cc} also changes insignificantly at start time but then after dose $D = 525 \times 10^3$ un. starts increase up to $900 \mu\text{A}$ at dose of 622×10^3 un. Hence, by parameter of consumption current the LS2-5V demonstrates more stable work under radiation than its analogue. Additionally, from a practical standpoint in engineering the design of electronic circuits, models of electronic components are utilized that are generated within electrical modelling SPICE software. This program is essential for calculating and simulating the behavior and functionality of electronic circuits [8, 9]. For this purpose, in the free software LTspice [10], a typical equivalent macromodel (highlighted in red in Fig. 5a) of the LS2-5V VR integrated circuit [1, 4, 8] on bipolar n-p-n and n-channel transistors was designed. Figure 5a shows the main elements of the designed macromodel LS2-5V: reference voltage source (VREF), n-p-n transistor (QMOD), n-channel transistor (JMOD), voltage-controlled voltage sources (EB, EP), functional voltage sources (V1, V2, B3), diodes (DBK, DFB, DSC, DPU), capacitors (CBC, CPZ), resistances (RBC, RB1, RB2, RZ, RP, RI), input contact (IN), adjustment contact (ADJ), output contact (OUT (s), output contact (OUT)). Because of this, in the LTspice program, the component's nominals and specified parameters are indicated in the circuit text, in particular, the parameters of the transistor and diode models are set using the SPICE directive. MODEL, for functional voltage sources in the circuit scheme indicates the equations that determine their output voltages. Then scheme of LS2-5V VR model was connected in accordance with the circuit in Figure 2.

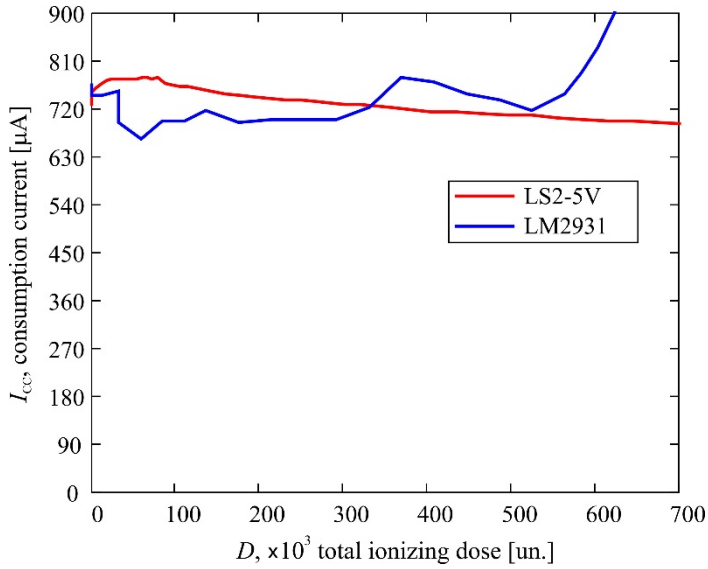
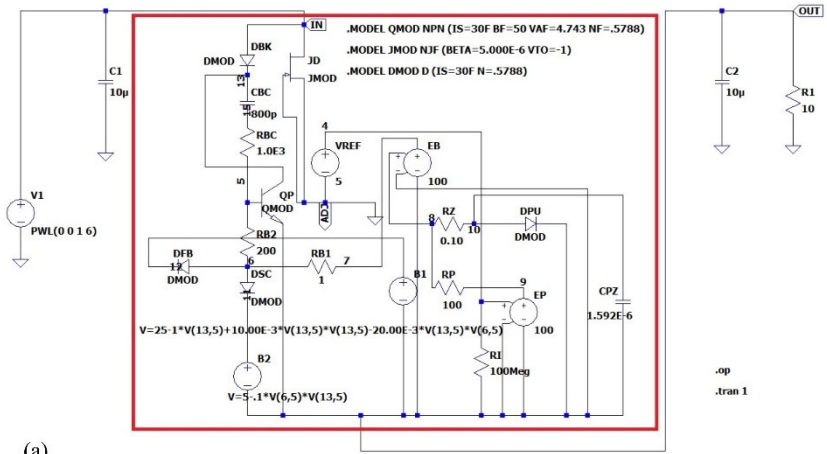
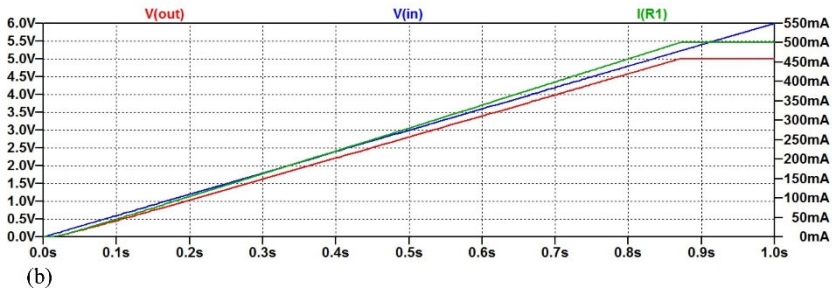


Fig. 4. The experimental results for consumption current dependence on TID for LS2-5V and LM2931 analogue.

Figure 5b shows calculation in LTspice program for transient process mode (input voltage - 6 V) the value of output voltage is 5 V and load current value is 500 mA.



(a)



(b)

Fig. 5. The equivalent circuit for LS2-5V macromodel in LTspice program: (a) the input voltage (V(in)); (b) output voltage (V(out)) and load current (I(R1)) dependence on time.

9 presents the experimental and theoretical dependencies. It can be seen that the theoretical dependence $V_{OUT}(t)$ shows good agreement the experimental data. It is worth noting that analogous radiation behaviour has been detected in the similar type regulator RH1086M that had been developed specifically for use in cosmic radiation conditions. Consequently, in future above-described method can be applied to characterize the radiation behaviour of this type of regulators developed within the scope of the import substitution initiative [7].

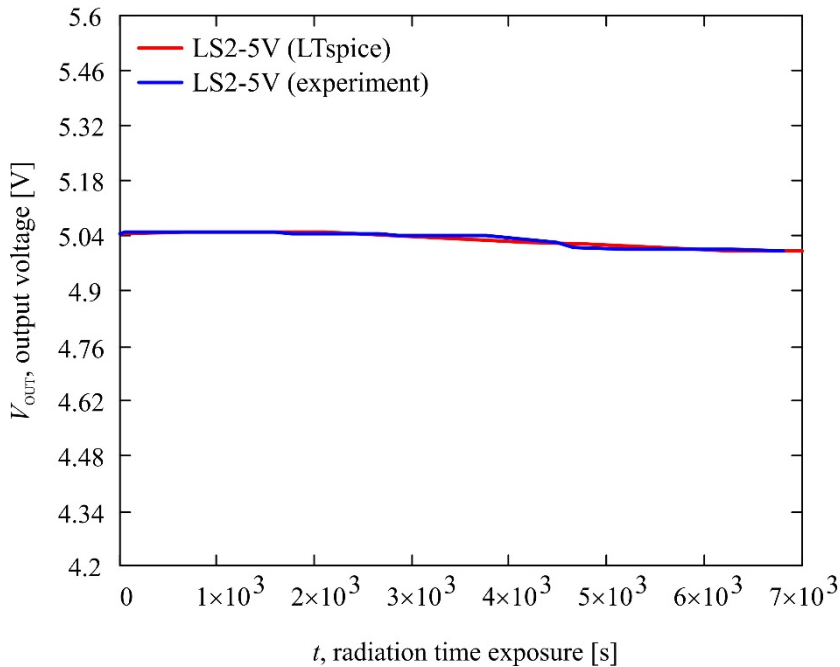


Fig. 9. The experimental (blue line) and theoretical (red line) dependencies of output voltage on radiation treatment time for LS2-5V.

Therefore, the developed SPICE macromodel for the LS2-5V positive LDO linear VR, which describes the radiation effects by parameter of output voltage and enables the calculating of the regulator’s response to radiation dose and can be used to project the same type electronic devices.

4 Conclusion

The radiation behaviour of linear voltage regulators LS2-5V and its analogue LM2931 (output voltage - 5 V) to the TID effects is studied. It was found that for LS2-5V the output voltage changes insignificantly (between 5.0 and 5.04 V) and at the same time output voltage not reaches the limit of operation mode (4.85 - 5.25 V). For LM2931 linear VR analogue it was established that at dose interval from 486×10^3 up to 661×10^3 un. the output voltage value exceeds operation mode limits, i.e. in this case take place the functional failure. Study of consumption current for LS2-5V VR shows that consumption current changes insignificantly (between $690 \mu\text{A}$ and $776 \mu\text{A}$). In case of LM2931 VR the consumption current also changes insignificantly at start time but then after dose of 525×10^3 un. starts increase up to $900 \mu\text{A}$ at dose of 622×10^3 un. Thus, comparison LS2-5V and LM2931 positive low-dropout linear voltage regulators by the output voltage and consumption currents parameter shown that LS2-

5V VR demonstrates more stable work without failure and radiation hardness than its analogue LM2931 in investigated radiation dose interval.

The electrical circuit and a SPICE macromodel for positive LDO linear VR LS2-5V have been developed with consideration of radiation effects. The proposed SPICE macromodel allows to describe the radiation behaviour of the LS2-5V.

The results of the Research and Development have been achieved during the implementation of the project «Integrated microcircuits of analog signal converters in metal-polymeric package of various types: development and mastering of technology, replacement of imported analogs and organization of serial production» (agreement with the Russian Ministry of Science and High Education of 9 February 2023 No. 075-11-2023-008) using state support measures provided by the Russian Federation Government's Decree of 9 April, 2010 No. 218.

References

1. D.R. Patrick, S.W. Fardo, R.E. Richardson, V. Chandra, *Electronic Devices and Circuit Fundamentals* (River Publishers, Gistrup, 2023).
2. A.I. Chumakov, *Radiation Hardness of Electronic Component Base Products* (MEPHI, Moscow, 2015).
3. R. Velazco, D. McMorro, J. Estela, *Radiation Effects on Integrated Circuits and Systems for Space Applications* (Springer, Cham, 2019).
4. A.I. Belous, V.A. Solodukha, S.V. Shvedov, *Space Electronics* (Tekhnosfera, Moscow, 2015).
5. JSC "KREMNY EL" (2025). <https://group-kremny.ru/>
6. LDO Voltage Regulator-Adjustable Output, Load Dump Protection LM2931, ON Semiconductor (2024). <https://www.onsemi.com/pdf/datasheet/lm2931-d.pdf>
7. S.B. Rybalka, A.A. Demidov, E.A. Kulchenkov, K.S. Pilipenko, St. Petersburg State Polytechnical University Journal. Physics and Mathematics **17(3.1)**, 195 (2024)
8. O.M. Petrakov, *Creation of analog PSPICE models of radio engineering* (RadioSoft, Moscow, 2004).
9. Pooja Mohindru, Pankaj Mohindr, *Electronic Circuit Analysis using LTSpice XVII Simulator: A Practical Guide for Beginners* (CRC Press, Boca Raton, 2021).
10. LTSpice Simulator | Analog Devices, <https://www.analog.com/en/design-center/design-tools-and-calculators/ltspice-simulator.html>
11. V. Volodin, *LTSpice computer simulation of electronic circuits* (BHV-Petersburg, St. Petersburg, 2010).